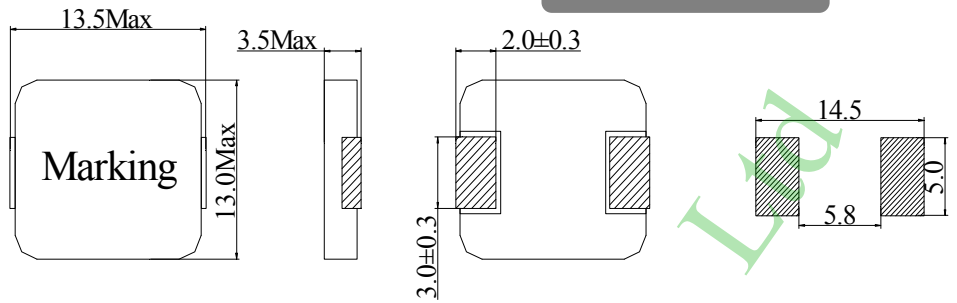


**Inductance Range: 0.22μH~3.3μH**  
**Temperature Range: -40℃~+125℃**

### Dimensions (mm)



### PSM-1335 Series

### Features:

- ★Quantity / Reel: 800pcs
- ★High performance (Isat) realized by metal dust core.
- ★Low profile: Thickness max. 3.5mm
- ★Low loss realized with low DCR
- Capable of corresponding high frequency (1MHz)
- ★Design to customer requirement

RoHS Compliant(SGS Certified Result)

Pb	Cd	Cr+6	PBBs	PBDEs
< 1000ppm	ND	ND	ND	ND



### Application:

- ★DC/DC converter for CPU in Notebook PC
- ★Thin type on-board power supply module for exchangerVRM for server

### Configuration:

PSM - 1335 - 1R0 - M

(1) (2) (3) (4)

(1)Product Code(P&Z for SMD type)

(2)Series Code(Typical dimension)

(3)Inductance: 1R0 = 1.0 μH

(4) Inductance tolerance: M= ±20%, L= ±15%, K= ±10%

### Electrical Characteristics:

P&Z Part Number	L0 @ (0A) Inductance ( μH ) ±20%	DCR(mΩ)		Heat Rating Current DC Amps. Idc ( A )	Saturation Current DC Amps. Isat ( A )
		Typical	Maximum	Typical	Typical
PSM1335-R22M	0.22	1.00	1.20	38	55
PSM1335-R56M	0.56	1.70	2.00	29	44
PSM1335-R68M	0.68	2.10	2.40	28	42
PSM1335-R82M	0.82	2.50	2.90	25	37
PSM1335-1R0M	1.00	3.00	3.40	24	34
PSM1335-1R2M	1.20	3.30	3.80	20	27
PSM1335-1R5M	1.50	4.10	4.70	18	26
PSM1335-2R2M	2.20	6.00	6.90	14	20
PSM1335-3R3M	3.30	8.30	9.50	13	16

★If you require another part number please contact with us.

1.All test data is referenced to 25℃ambient. Operating. Temperature Range -55℃to + 125℃. Test Condition:100KHz, 1.0Vrms.

2.Idc:DC current (A) that will cause an approximate Δ℃T of 40℃.

3.Isat:DC current (A) that will cause Lo to drop approximately 30%.

4.The part temperature (ambient + temp rise ) should not exceed 125℃ under worse case operating conditions. Circuit design , component placement, PWB trace size and thickness, airflow and other cooling provision all affect the part temperature. Part temperature should be verified in the end application.

5.The rated current as listed is either the saturation current or the heating current depending on which value is lower.